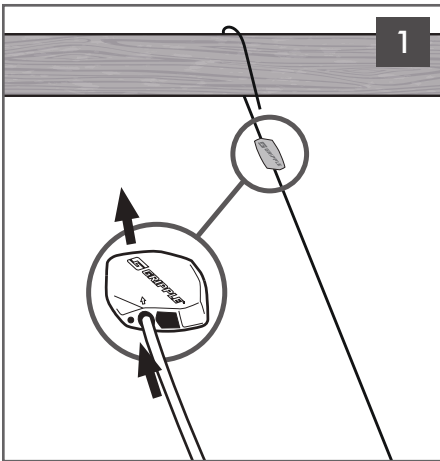


SPEAKER INSTALLATION INSTRUCTIONS USING **GRIFFLE**® SUSPENSION SYSTEMS

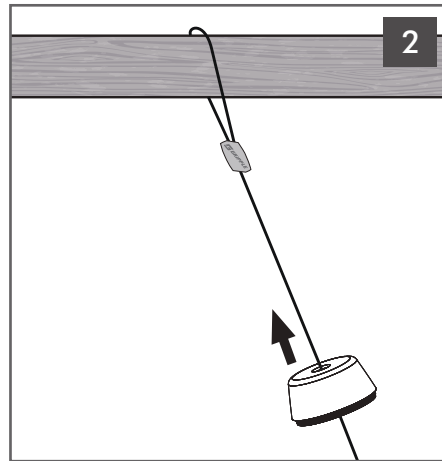


FOR SONANCE PROFESSIONAL SERIES PENDANT | PS-P43T | PS-P63T | PS-P83T | PS-P83WT

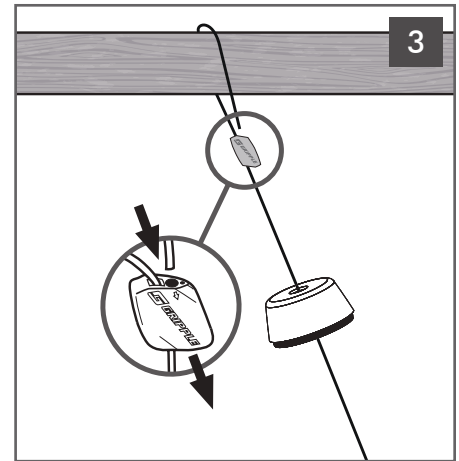
CAUTION: Installation must be done by qualified persons using safe rigging standards. Use equipment only in accordance with manufacturer's instructions. Do not alter or modify. Do not use equipment if the equipment is not functioning correctly or if the equipment is defective.



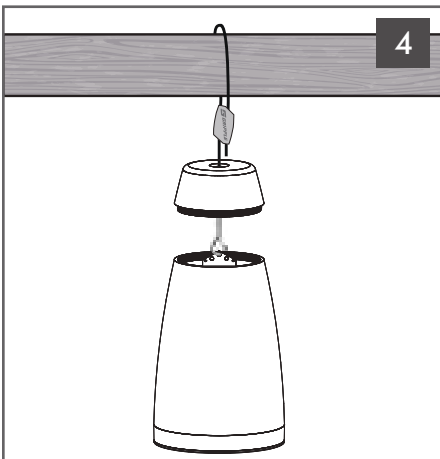
Thread Gripple onto cable (see inset detail). Pass over ceiling anchor point (as shown) or through other secure anchor point of the building structure. Installer is responsible for ensuring that anchor point is secure to building structure.



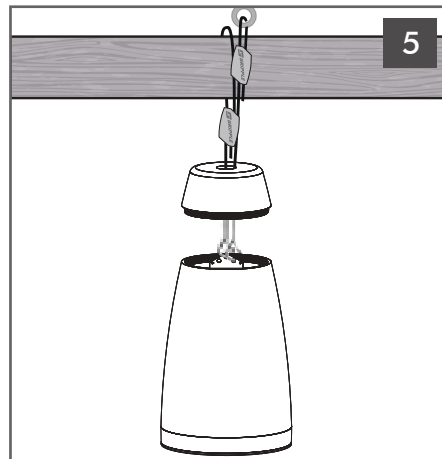
Thread cable through top cover of speaker.



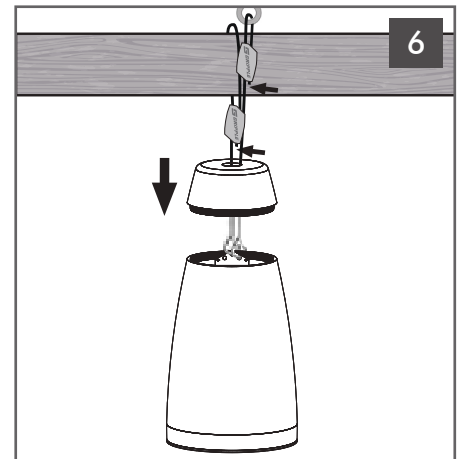
Pass tail end of cable through the other channel of the Gripple (see inset detail).



With speaker supported, snap main support hook hanger onto the center hole in the top bracket of the speaker. Adjust to proper height by pulling cable through either end of Gripple.

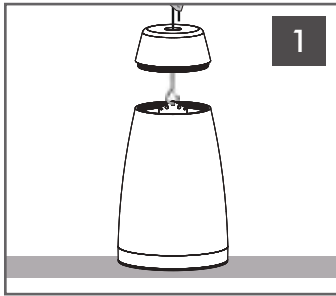


Snap secondary support safety cable hook hanger onto one of the side holes in the top bracket of the speaker, and attach the top to a different ceiling support point of the building structure, per Steps 1 & 2.

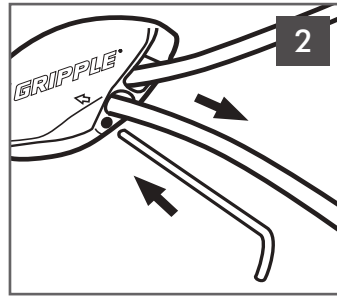


After height adjustment is final, trim any unneeded extra cable tail wires with trimmer suitable for 2 mm (0.077 in) diameter stranded aircraft-type cable. Screw back on top cover of speaker after speaker wire is connected.
(Installation continued on other side.)

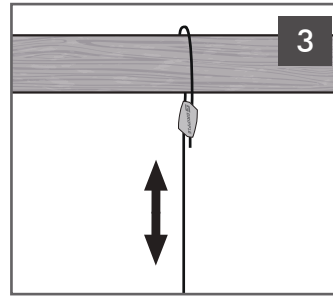
HOW TO USE RELEASE KEY TO ADJUST HEIGHT OF SPEAKER



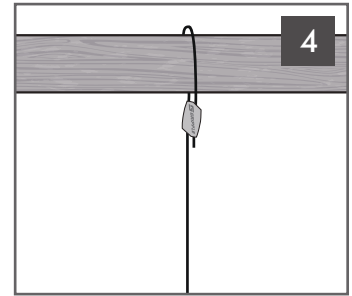
1
Make sure the weight of the load is supported.



2
Insert key into small hole at bottom of Gripple. Push in .25" to release the cable.



3
Adjust height.



4
Remove key and re-secure the load.

GRIPPLE® MANUFACTURER'S RECOMMENDATIONS

GRIPPLE HANGER - DO'S

- Ensure that the cable protrudes at least 3 inches from the Gripple housing
- Use Gripple hangers for suspending static loads only
- Use the hanger within it's stated load range
- Check that the self-locking fastener is fully engaged
- Ensure all hangers are evenly loaded
- Keep the hanger components clean
- Follow the manufacturers recommendations
- Follow health and safety guidelines and best practice recommendations in the workplace

For further technical assistance in the use of this Gripple suspension product, please contact:

**Gripple Inc. | 1611 Emily Lane
Aurora, IL 60502, USA | 1.630.406.0600
usinfo@gripple.com | www.gripple.com**

GRIPPLE HANGER - DONT'S

- Exceed the product's Safe Working Load
- Use the hanger for lifting
- Use the hanger for moving services
- Splice together two Gripple hanger kits, or any other joining device
- Walk on any suspended service
- Use the self-locking fasteners on coated wire of any kind
- Apply paint to the Gripple faster. Ensure that the Gripple is in it's final position and protected with a Decor cover prior to applying any paint to the cable assembly. Do not move the Gripple after painting.
- Apply lubricants or other coatings to the Gripple or cable
- Use standard hangers in a chlorinated or humid atmosphere
- Exceed an angle of 60°
- Attempt to use the setting key when the suspension is under load
- Re-use Gripple hangers; they are designed for permanent installations

©2016 Sonance. All rights reserved.
Sonance is a registered trademarks of Dana Innovations.
Due to continuous product improvement, all features and specifications are subject to change without notice. For the latest Sonance product specification information visit our website: www.sonance.com
SONANCE • 991 Calle Amanecer • San Clemente, CA 92673 USA
(949) 492-7777 • FAX: (949) 361-5151 • Technical Support: (949) 492-7777
www.sonance.com



File No. E228153 Luminaire
Fittings File No. E251132
Conduit and Cable Hardware.



Fittings are suitable for use in Air Handling Spaces in accordance with Section 300.22 (C) and (D) of the National Electrical Code, and rules 12-010 (3), (4), and (5), & 12-020 of the Canadian Electrical Code, Part 1.